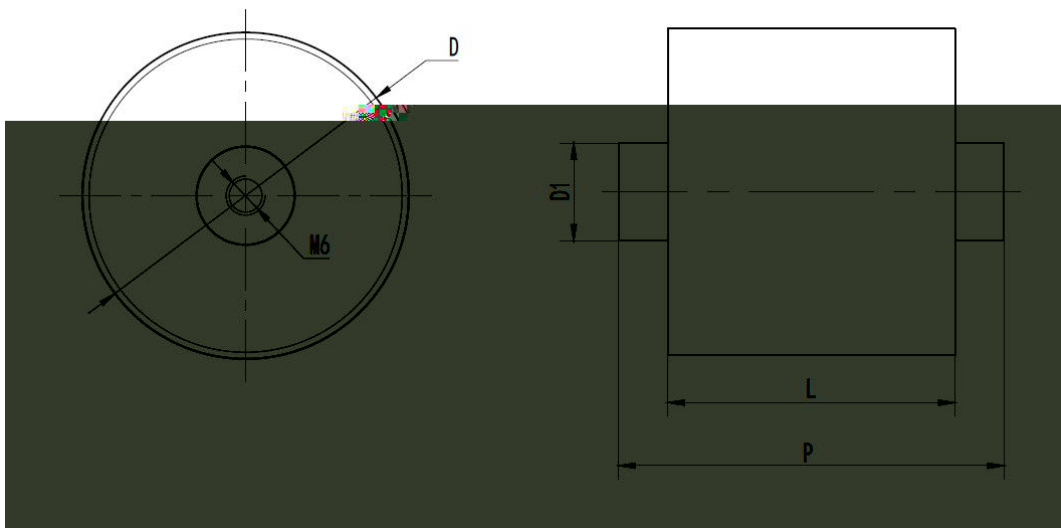


High-frequency Resonant Capacitor



Applications

- ◆ 主要应用于大电流高脉冲线路中起耦合、
、感应加热电源、逆变电源、高频加热机、焊机电源、隔直、滤波等；
- ◆ Mainly used in high current and high pulse line coupling, UPS, SMPSs, induction heating power supply, inverter power supply, high frequency heating machine, welding power supply, isolating, filtering, etc.



ESL, ESR

Features

- ◆ The utility model has the advantages of high voltage resistance, large current, small volume, low temperature rise, long service life, etc.
- ◆ High ripple current, high stability, low loss and self-healing
- ◆ High Energy Storage, high pulse current resistance;
- ◆ Non-inductive winding, Low ESL, Low ESR
- ◆ Using double-sided metallized polyester film as electrode, polypropylene light film and single-sided metallized polypropylene film as medium, high frequency and high current resistance



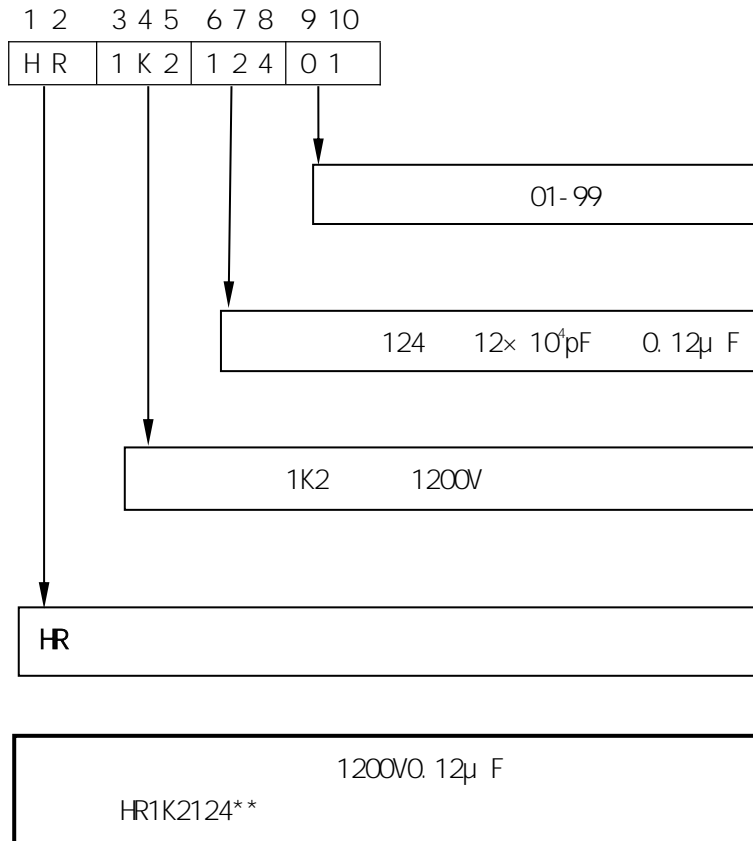
10

The 10 digits part number is formed as follow

Coding principle:

HRXXXXXXXX:

High-frequency resonant capacitor



Specifications

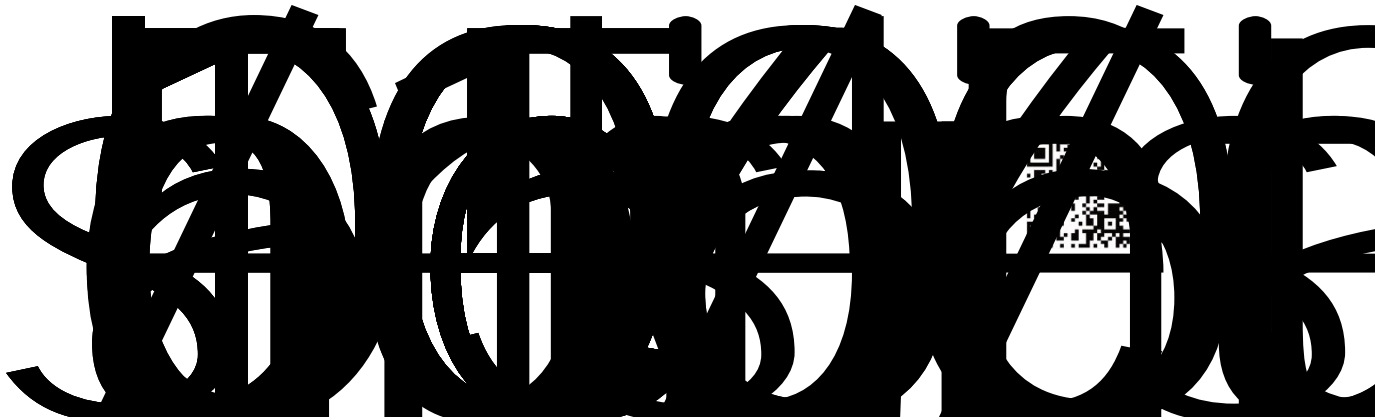
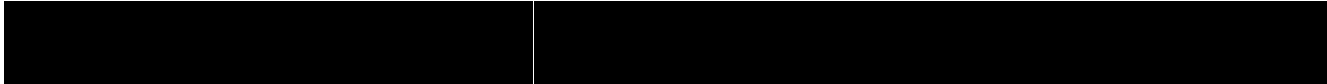
Reference Standard

IEC61071

40/85/56; 40/105/56

Operating Temperature Range

-40 ~105 hs 105



Technical data

U_n	C_n	L	W	H	P	d	dV/dt	I peak	Part Number
	μF	mm	mm	mm	mm	mm	V/		

*



U_N	C_N μF	D mm	L mm	dV/dt $V/\mu s$	I_{max} A	I_{peak} A	Part Number
							R50056501
							R50010601
							R50012601
							R80025501
							R80047501
							R80065501
							R1K075401
							R1K013501
							R1K025501
							R1K033501
							R1K047501
							R2K012401
							R2K015401
							R2K016401
							R2K056401
							R2K001601
							R2K012501
							R3K004401
							R3K006401
							R3K008401

*

